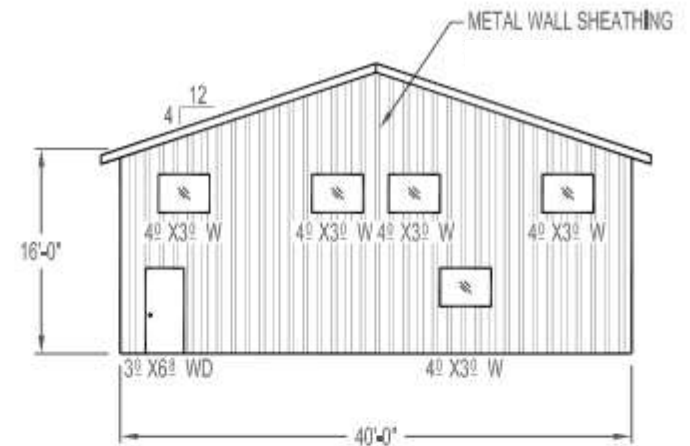
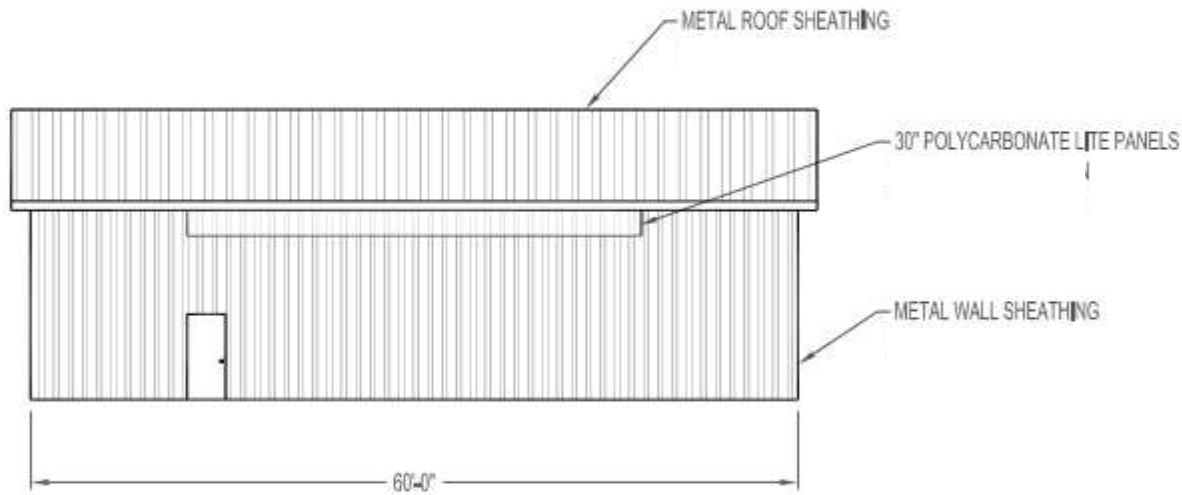


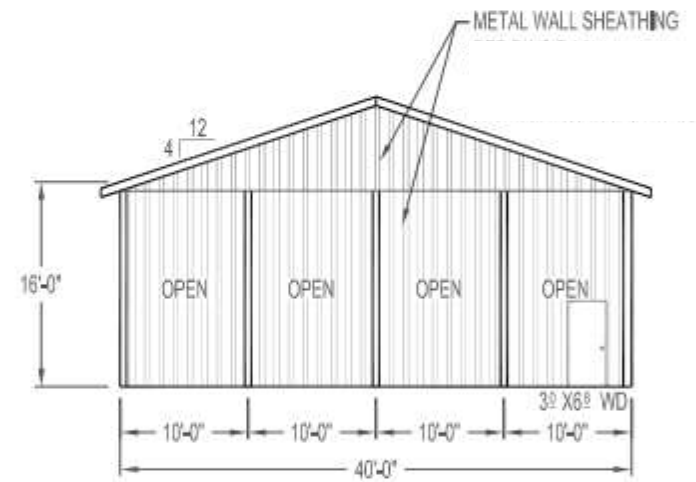
FRONT EAVE



RIGHT GABLE



REAR EAVE

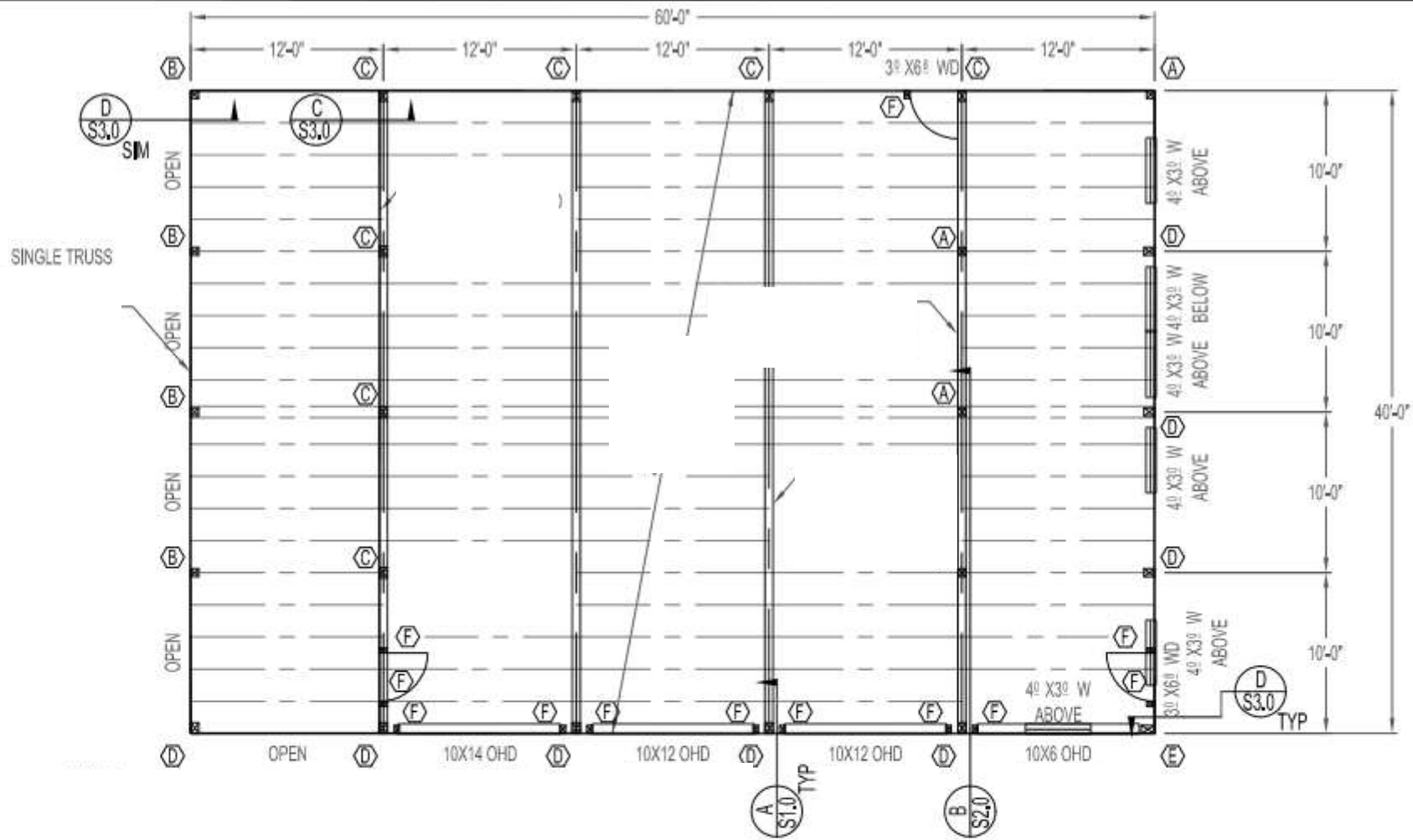


LEFT GABLE

Building Exterior

- 40'x 60' Permitted pole building
- 16' Eve Height
- 18" Overhangs
- 2 – Man doors
- 4 – 4030 Windows
- 1 – 8'x 6' Overhead door
- 2 – 10'x 12' Overhead door

- 1 – 10'x 14' Overhead door
- 1 – Row of 2' skylight down one eve wall
- 40'x 48' will be closed down to the grade height
- The building will have a base metal trim around building for rodent control
- 1 – 12'x 40' Inset wall gable end (roof only) Gable will be closed to the bottom of truss
- Structure will come with engineered plans**
- Vapour barrier in roof



Building Interior
 1 – 12' x 40' Loft w/double directional stairs-inset in loft