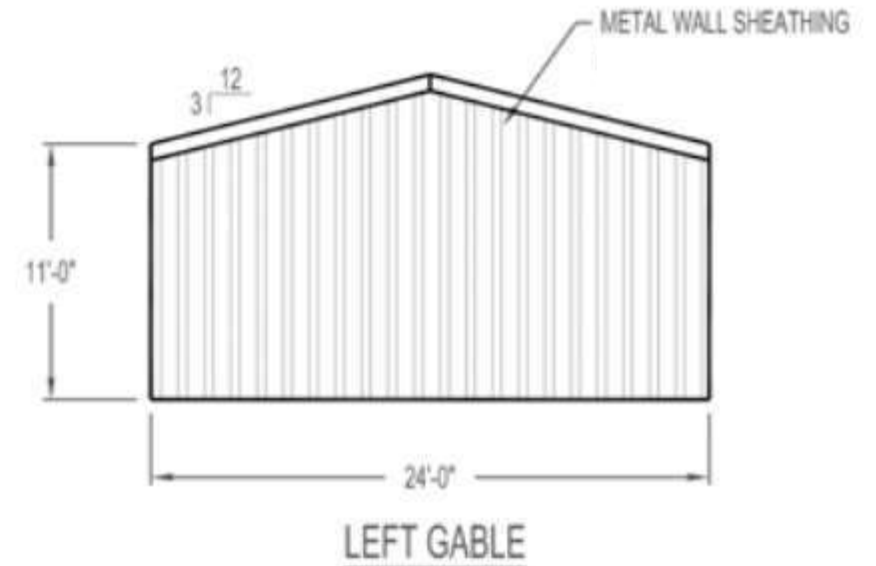
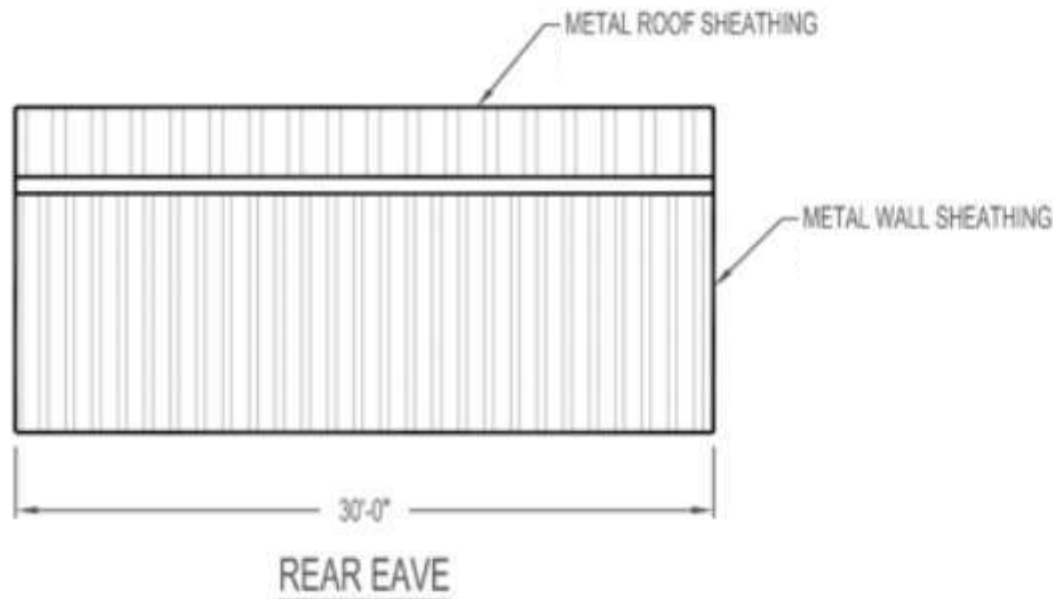
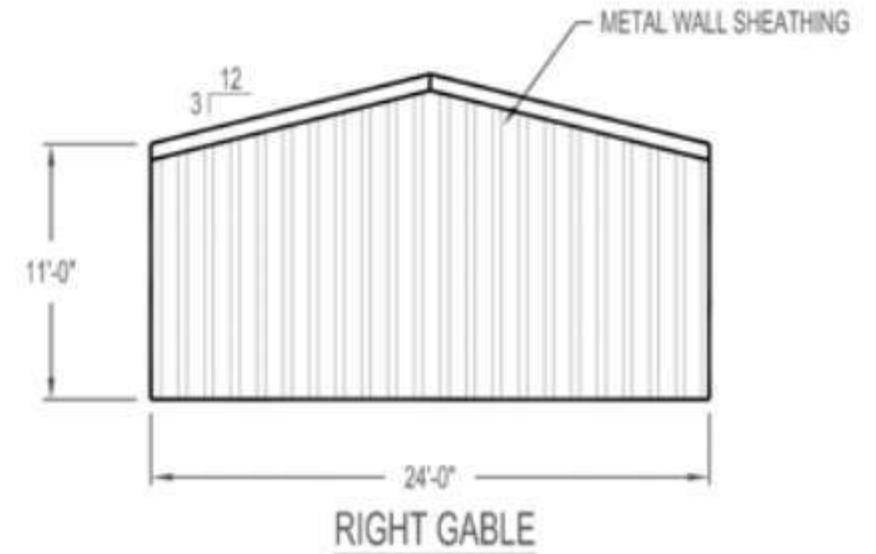
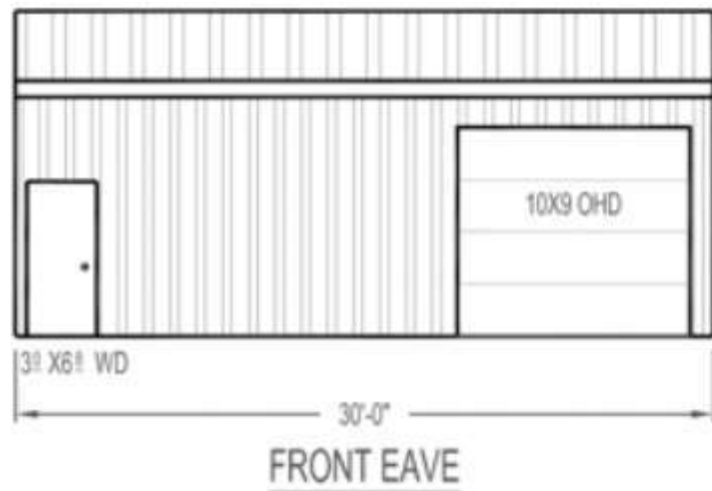


Bldg #2401



Building Exterior

- 24'x30' Pole Building
- 11' Eave Height
- 1-3068 Man Door
- 1-10'x9' Overhead
- All walls closed down to grade height
- Vapor Barrier in the roof

